



GOLDSTRIKE ANTENNA BASE FLAG MOUNT

Parts Included:	1	FLAG MOUNT
	1	HARDWARE KIT



INSTALLATION INSTRUCTIONS:

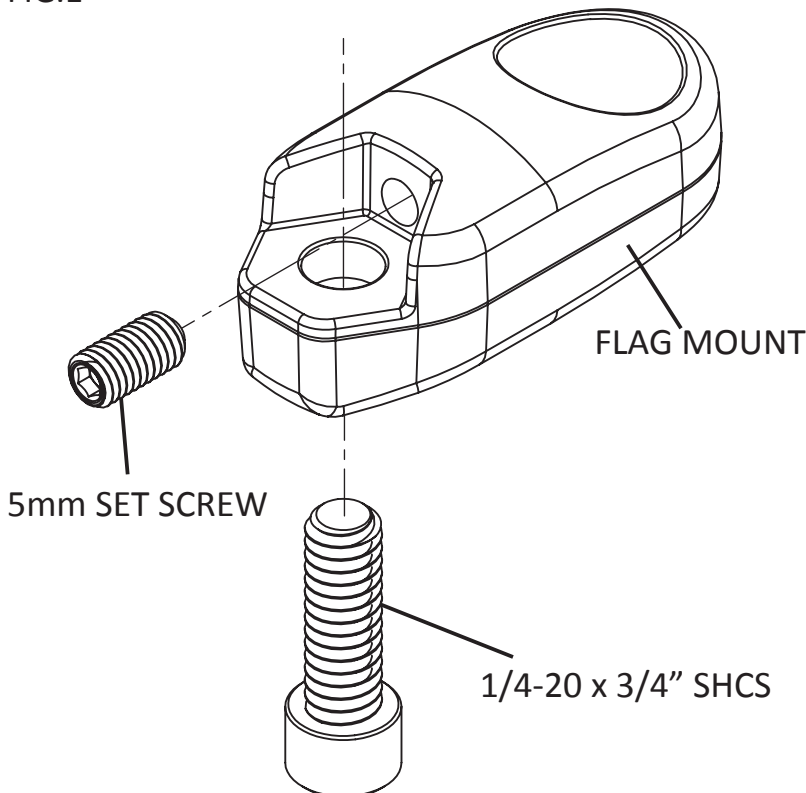
1. Park on a level surface and shut off the motorcycle. Lift motorcycle onto its center stand if available. Ensure the engine has time to cool before installation.
2. Slide mounting block over antenna. You may position the block either on the knurled or smooth area of the antenna. (FIG.2)
3. Determine the best spot for the flag then tighten the 5mm set screw against antenna. Use a 2.5mm hex wrench.(FIG.1)
4. Install the 1/4-20 X 3/4 socket head cap screw through the flag mount up into the bottom of flag mast (sold separately). Use a quality liquid thread locker. (FIG.1 FIG.2)
5. Tighten the 1/4-20 x 3/4" SHCS to 12 ft.-lbs.
6. Route and secure wires as needed. Move the trunk lid up and down and observe the wire. Check for good clearance.

For lighted flag products:

Refer to instructions included with flag for making final wiring connections.

Note: If you are experiencing any radio interference after installation, try adjusting the position of the mounting block on the antenna.

FIG.1



WARNING:

This indication alerts you to the fact that ignoring the contents described herein can result in potential serious injury or death if not followed.

CAUTION:

This indication alerts you to the fact that ignoring the contents described herein can or will result in material damage and/or personal injury.

ATTENTION:

This indication alerts you to the fact if you ignore this detail you will affect the performance or functionality of the product.

All Ciró products are designed for "easy assembly" and/or "plug and play". We recommend a competent mechanic install our products, using standard mechanical procedures to assure a safe and successful installation.

NOTE:

Ciró products are designed and manufactured under very strict quality control. Ciró warrants that products sold to the original purchaser shall be free from any defects in materials and workmanship for a period of 3 (three) years from the date of purchase, and a lifetime warranty against LED failure.

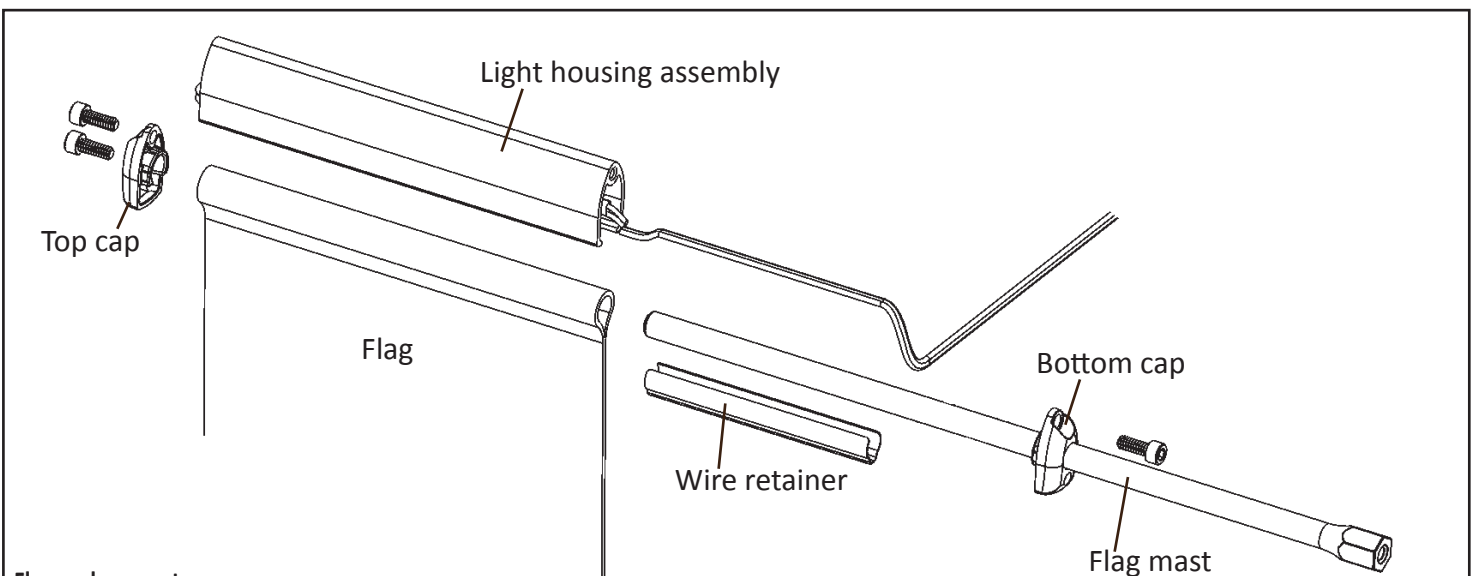
Ciró will have no obligation if the customer cannot show proof of purchase.

Warranty will not be granted unless the part is properly installed and maintained.

Ciró will not be liable for any consequential and incidental damages, including labor, or non-Ciró products.

Please visit our website Ciro3d.com for our complete warranty policy.

FIG.2



Flag replacement:

1. Remove the wire retainer then the top and bottom caps using the provided hex key.
2. Hold onto the light housing and carefully slide the flag mast out the bottom of the assembly. Remove the flag.
3. When re-installing the flag make sure to route the wire carefully.
4. Place the flag into the light housing and slide the mast up into the assembly.
5. Attach the bottom cap first followed by the top cap. Reinstall the wire retainer.